

LOAD RATINGS

SiteSafe™ Single Bridge



SiteSafe™ Double Bridge



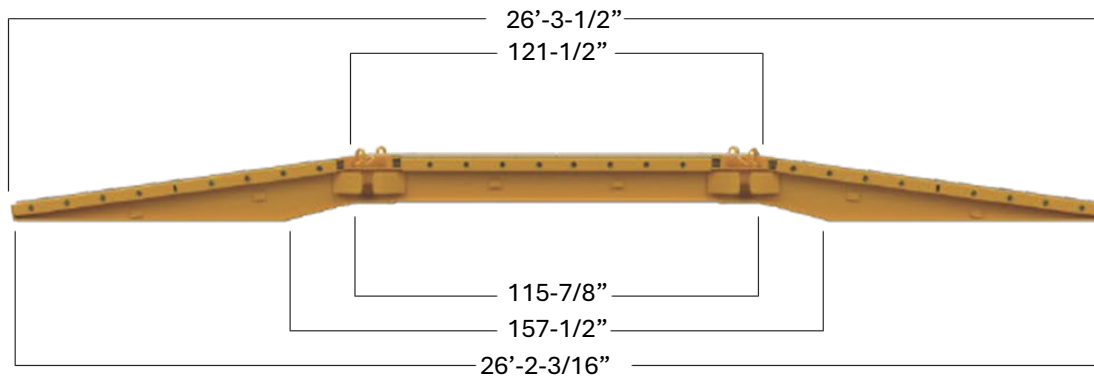
Load ratings based on stable foundation - ratings may vary, dependent on soil or foundation conditions. Site review and inspection are recommended to ensure a stable foundation.



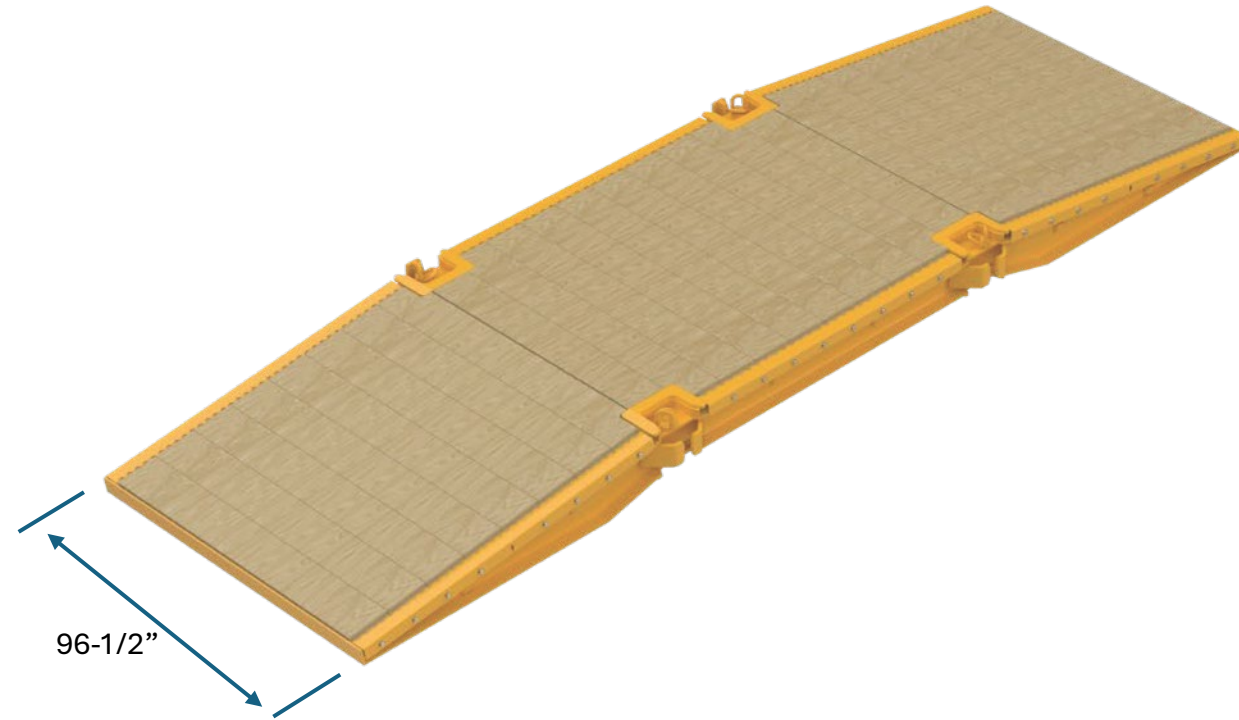
GFI SOLUTIONS

DIMENSIONS

SiteSafe™ Single Bridge



Transport Six SiteSafe™ Single Bridges On a Single Truck Load.



SiteSafe™



GFI Solutions Ltd
sales@gfisolutionsltd.com
gfisolutionsltd.com
1-833-434-6287